

# Single Impact Air Kocker Vibrators



Knocking Out Sticky Situations, Round After Round.

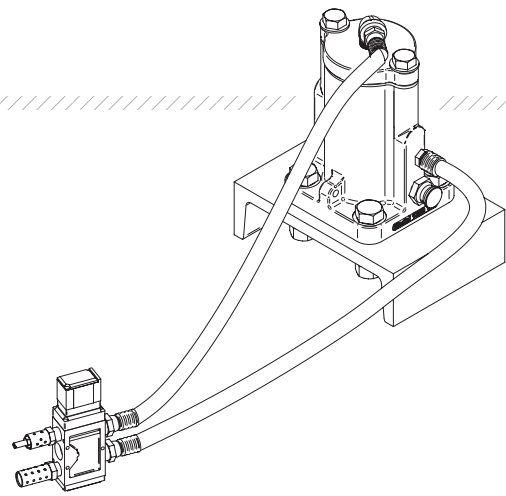
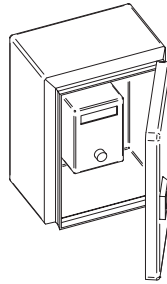
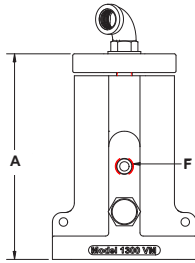
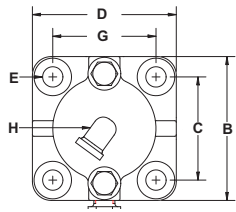
Strong. Solid. Reliable. Single Impact Air Kocker Vibrators from Cleveland Vibrator Company are the choice when you're moving sticky materials that tend to clog hoppers under continuous vibration.

These single-impact vibrators deliver individual impacts at timed frequencies which can be adjusted to fit the job at hand. Their low-frequency knocking action simulates a manual, forceful, hammer strike, but without the manpower or potential damage to equipment.

#### BENEFITS INCLUDE

- Durable, one-piece, ductile iron housing and spring-less design ensure long effective life
- Use of ported exhaust reduces noise levels while pneumatic power allows for operation in hazardous areas
- Dual diameter piston allows for mounting at any angle on your bins, chutes and hoppers
- Comes with mounting fasteners and a gasket for quick setup
- Kits include a mounting channel, 5-foot inlet and exhaust hose with fittings, and 5-port spool valve and timer

# Single Impact Air Knocker Vibrators



MODEL	PISTON DIAMETER	A	B	C	D	E	F	G	H	WEIGHT	PISTON WEIGHT	AIR CONSUMPTION @ 80-PSI; 5.4 BAR	ENERGY PER IMPACT @ 80-PSI; 5.4 BAR
1125 SI	1 1/4" 3.2 cm	4 11/16" 11.9 cm	3.0" 7.6 cm	2.0" 5.1 cm	3.0" 7.6 cm	3/8" 1.0 cm	1/4" 0.64 cm	2.0" 5.1 cm	3/8" 1.0 cm	7 lbs	1.5 lbs .68 kg	.01 cf/stroke .3 liter	11 ft lbs 152 cm kg
1200 SI	2.0" 5.1 cm	6 1/2" 16.5 cm	4 1/2" 11.4 cm	3.0" 7.6 cm	4 1/2" 11.4 cm	5/8" 1.6 cm	1/4" 0.64 cm	3.0" 7.6 cm	1/2" 1.3 cm	15.3 lbs	2.5 lbs 1.14 kg	.02 cf/stroke .6 liter	25 ft lbs 346 cm kg
1300 SI	3.0" 7.6 cm	8 5/16" 21.1 cm	5 3/4" 14.6 cm	4 1/8" 10.5 cm	5 3/4" 14.6 cm	3/4" 1.9 cm	3/8" 1.0 cm	4 1/8" 10.5 cm	1/2" 1.3 cm	34.8 lbs	10 lbs 4.55 kg	.084 cf/stroke 2.4 liters	86 ft lbs 1,189 cm kg
1350 SI	3 1/2" 8.9 cm	10.0" 25.4 cm	6.0" 15.2 cm	4 1/8" 10.5 cm	6.0" 15.2 cm	3/4" 1.9 cm	1/2" 1.3 cm	4 1/8" 10.5 cm	3/4" 1.9 cm	43 lbs	14.5 lbs 6.59 kg	.12 cf/stroke 3.4 liters	172 ft lbs 2,378 cm kg
1400 SI	4.0" 10.2 cm	11 7/8" 30.2 cm	8 5/8" 21.9 cm	6 1/4" 15.9 cm	8 5/8" 21.9 cm	1 1/4" 3.2 cm	1/2" 1.3 cm	6 1/4" 15.9 cm	3/4" 1.9 cm	110 lbs	30 lbs 13.64 kg	.242 cf/stroke 6.9 liters	354 ft lbs 4,894 cm kg
1500 SI	5.0" 12.7 cm	16 3/8" 41.6 cm	10 1/2" 26.7 cm	7 7/16" 18.9 cm	10 1/2" 26.7 cm	1 1/4" 3.2 cm	3/4" 1.9 cm	7 7/16" 18.9 cm	1.0" 2.5 cm	255 lbs	73 lbs 33.18 kg	.526 cf/stroke 14.9 liters	789 ft lbs 10,909 cm kg
1700 SI	7.0" 17.8 cm	19 3/4" 50.2 cm	13 1/2" 34.3 cm	8 1/2" 21.6 cm	16.0" 40.6 cm	1 1/2" 3.8 cm	1.0" 2.5 cm	13.0" 33 cm	1 1/4" 3.2 cm	450 lbs	160 lbs 72.7 kg	1.078 cf/stroke 30.5 liters	1,425 ft lbs 19,702 cm kg
1900 SI	9.0" 22.9 cm	19 3/4" 50.2 cm	15 1/2" 39.4 cm	8 1/2" 21.6 cm	16.0" 40.6 cm	1 1/2" 3.8 cm	1 1/4" 3.2 cm	13.0" 33 cm	1 1/2" 3.8 cm	700 lbs	266 lbs 120.9 kg	1.658 cf/stroke 47 liters	2,277 ft lbs 31,482 cm kg

## FOR MORE INFORMATION

**Call:** Sales at 800-221-3298

**Email:** sales@clevelandvibrator.com

**Buy Online:** www.clevelandvibrator.com



ABOUT THE  
CLEVELAND  
VIBRATOR  
COMPANY

The Cleveland Vibrator Company has been driving innovations in materials handling since 1923. From our corporate headquarters in Cleveland, Ohio, and in partnership with HK Technologies located in Salem, Ohio, we've met

the challenges of more than 15,000 customers all around the globe in a vast array of industries. Our comprehensive product line includes air-piston, rotary electric, electromagnetic, turbine and ball vibrators, as well as a wide variety

of fabricated feeders, vibratory screeners, ultrasonic screeners, vibratory conveyers and vibratory tables used for light, medium and heavy-duty industrial applications.